

# SOT-23 SCHOTTKY BARRIER DIODE

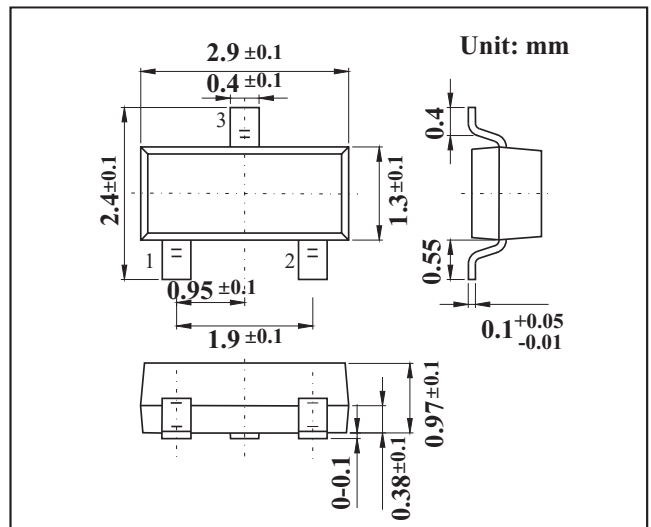
VOLTAGE RANGE: 40V PEAK PULSE POWER:250mW

## FEATURES

- Small Surface Mounting
- Type Low VF
- High Reliability
- Low Power Rectification

## MECHANICAL DATA

- Case: SOT-23 Small Outline Plastic Package
- Polarity: Color band denotes cathode end
- Mounting Position: Any



## MAXIMUM RATINGS AND CHARACTERISTICS

@ 25°C Ambient Temperature (unless otherwise noted)

Symbol	Parameter	Value	Unit
<b>VR</b>	DC Blocking Voltage	40	V
<b>IO</b>	Continuous Forward Current	100	mA
<b>IFSM</b>	Non-repetitive Peak Forward Surge Current @t=8.3ms	1	A
<b>PD</b>	Power Dissipation	250	mW
<b>RθJA</b>	Thermal Resistance from Junction to Ambient	400	°C/W
<b>TJ</b>	Junction Temperature	125	°C
<b>Tstg</b>	Storage Temperature	-55~+150	°C

## Electrical Specification (TA=25°C unless otherwise specified)

Parameter	Symbol	Test conditions	Minp	Ty	Maxit	U
<b>Reverse voltage</b>	$V_{(BR)}$	$I_R=100\mu A$	40			V
<b>Reverse current</b>	$I_R$	$V_R=10V$			30	$\mu A$
<b>Forward voltage</b>	$V_F$	$I_F=100mA$			0.55	V
		$I_F=10mA$			0.34	
<b>Total capacitance</b>	$C_{tot}$	$V_R=10V, f=1MHz$		6		pF

MARKING: D3C

RATINGS AND CHARACTERISTIC CURVES

